

Probe

with reduced face surface

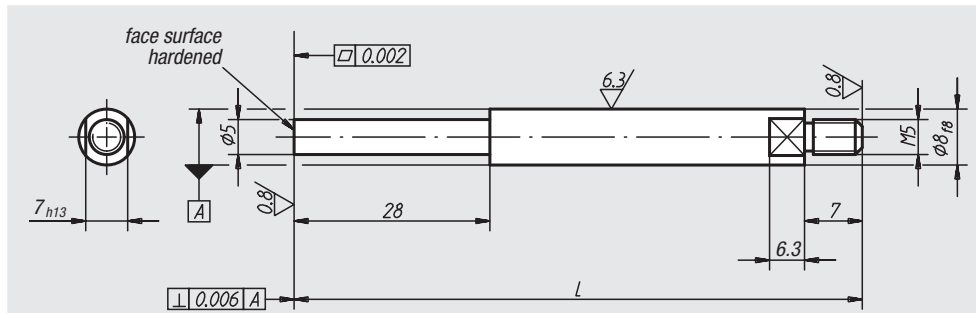


Material:
Steel

Surface finish:
Black oxide finish

Sample order:
nlm 33024-08160

Note:
These probes are suitable for holders of dial gauges 33010 up to 33016.



Order No.	L	Approx. weight g
33024-08080	80	25
33024-08100	100	30
33024-08160	160	55
33024-08250	250	90

Probe

with reduced oval point

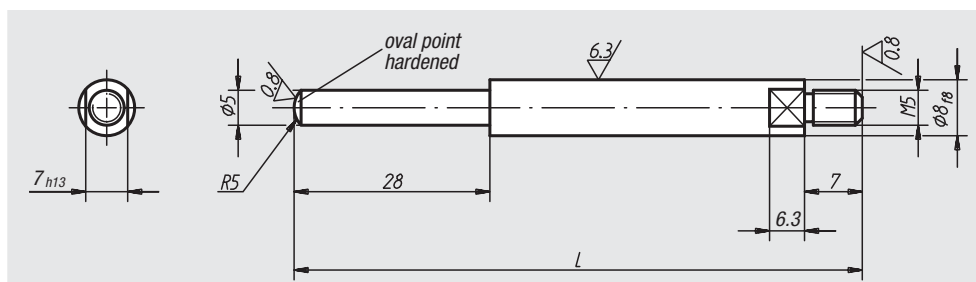


Material:
Steel

Surface finish:
Black oxide finish

Sample order:
nlm 33026-08080

Note:
These probes are suitable for holders of dial gauges 33010 up to 33016.



Order No.	L	Approx. weight g
33026-08080	80	25
33026-08100	100	30
33026-08160	160	55