

Holder of dial gauges with deflection by 90°

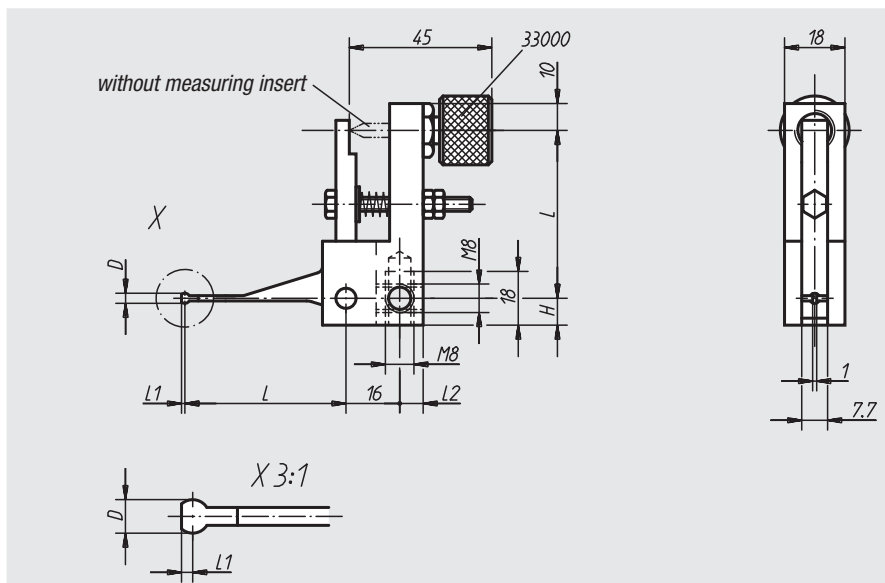


Material:
Steel

Surface finish:
Black oxide finish

Sample order:
nlm 33070-04803

Note:
Direction modification of the probe and mounting of the holder of dial gauges with deflection by means of fixed adaptors (they are supplied) see technical information. Dial gauges see 32540 and 32542. Measuring inserts see 33040 up to 33052.



Order No.	L	D	L1	L2	H	Approx. weight kg
33070-04803	48	3	1	7	8	0,185
33070-07008	70	8	1,5	6	10	0,265

Holder of dial gauges with deflection by 90°

probe with thread

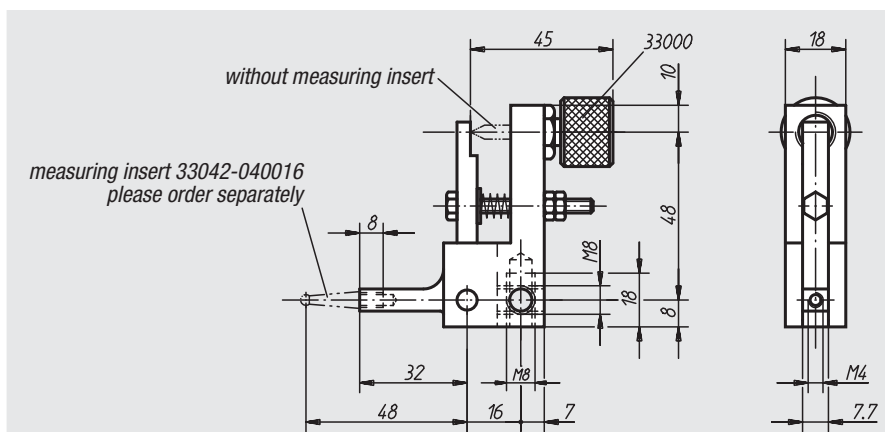


Material:
Steel

Surface finish:
Black oxide finish

Sample order:
nlm 33072-048

Note:
Direction modification of the probe and mounting of the holder of dial gauges with deflection by means of fixed adaptors (they are supplied) see technical information. Dial gauges see 32540 and 32542. Measuring inserts see 33040 up to 33052.



Order No.	Approx. weight kg
33072-048	0,195