

33078

Holder of dial gauges with deflection by 90°

probe with thread

**Material, surface finish:**

Base body in aluminium, black anodized; probe in steel precision casting, black oxide finish

Sample order:

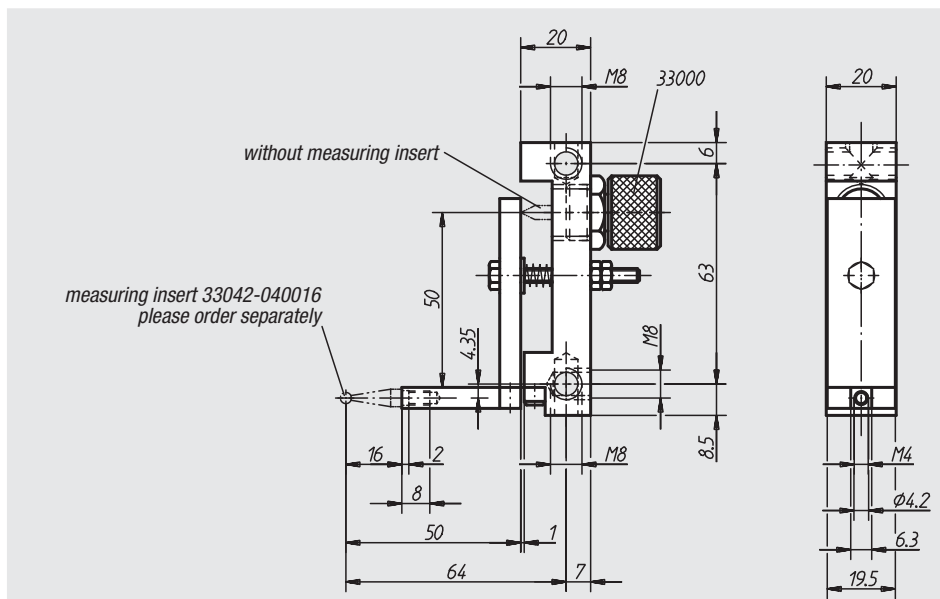
nIm 33078-050

Note:

Direction modification of the probe and mounting of the holder of dial gauges with deflection by means of fixed adaptors (they are supplied) see technical information.

Dial gauges see 32540 and 32542.

Measuring inserts see 33040 up to 33052.



Order No.

Approx.
weight
kg

33078-050

0,150

33080

Holder of dial gauges with deflection by 180°

probe with thread

**Material, surface finish:**

Base body in aluminium, black anodized; probe in steel precision casting, black oxide finish

Sample order:

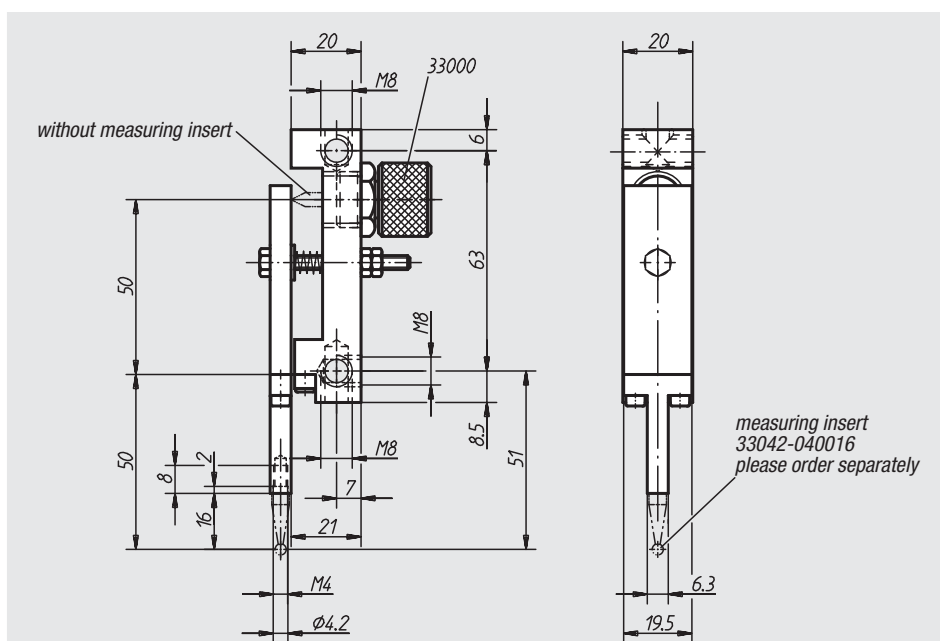
nIm 33080-050

Note:

Direction modification of the probe and mounting of the holder of dial gauges with deflection by means of fixed adaptors (they are supplied) see technical information.

Dial gauges see 32540 and 32542.

Measuring inserts see 33040 up to 33052.



Order No.

Approx.
weight
kg

33080-050

0,150