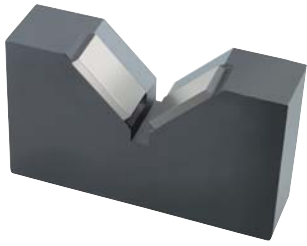


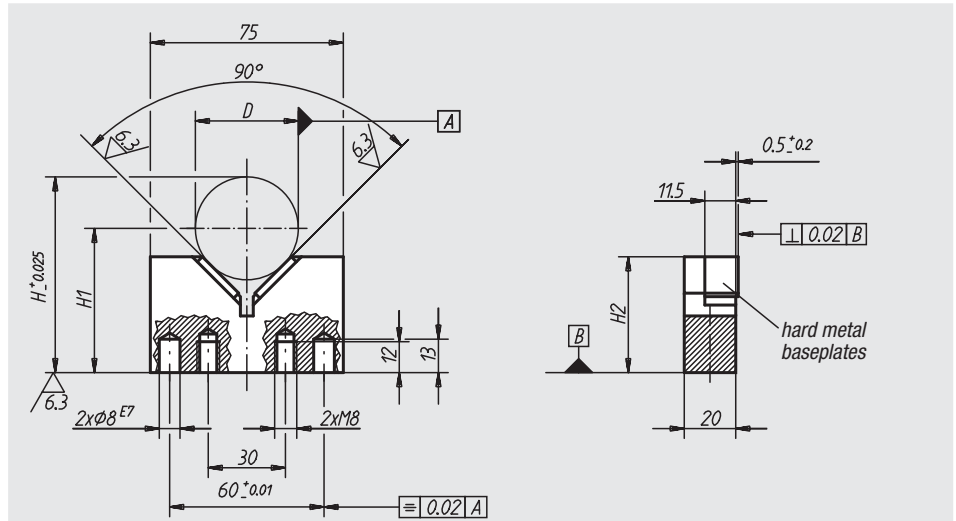
Prism attachments



Material:
Tempered steel; support in hard metal

Surface finish:
Black oxide finish; support surface ground, natural finish

Sample order:
nlm 33090-010020



Order No.	D min.	D max.	D Test-Ø	H	H1	H2	Approx. weight kg
33090-010020	10	20	20	66	$D/2 \times \sqrt{2} + 41,857$	53	0,550
33090-020040	20	40	40	76	$D/2 \times \sqrt{2} + 27,716$	45	0,440

Spacers

for prisms attachments

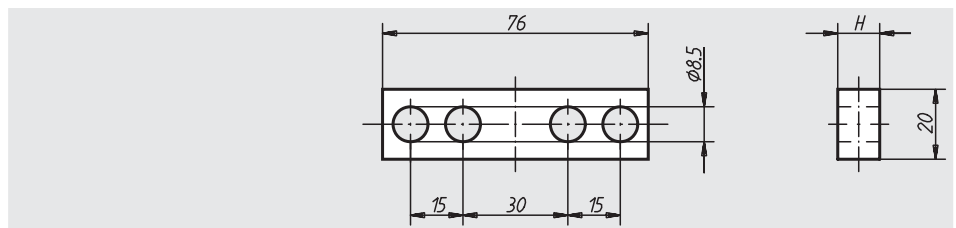


Material:
Tempered steel

Surface finish:
Black oxide finish

Sample order:
nlm 33092-012

Note:
Spacers are used as height elements for prisms attachments 33090.



Order No.	H	Approx. weight kg
33092-005	5	0,050
33092-008	8	0,080
33092-012	12	0,120
33092-015	15	0,150
33092-020	20	0,200