

# Measuring fixtures

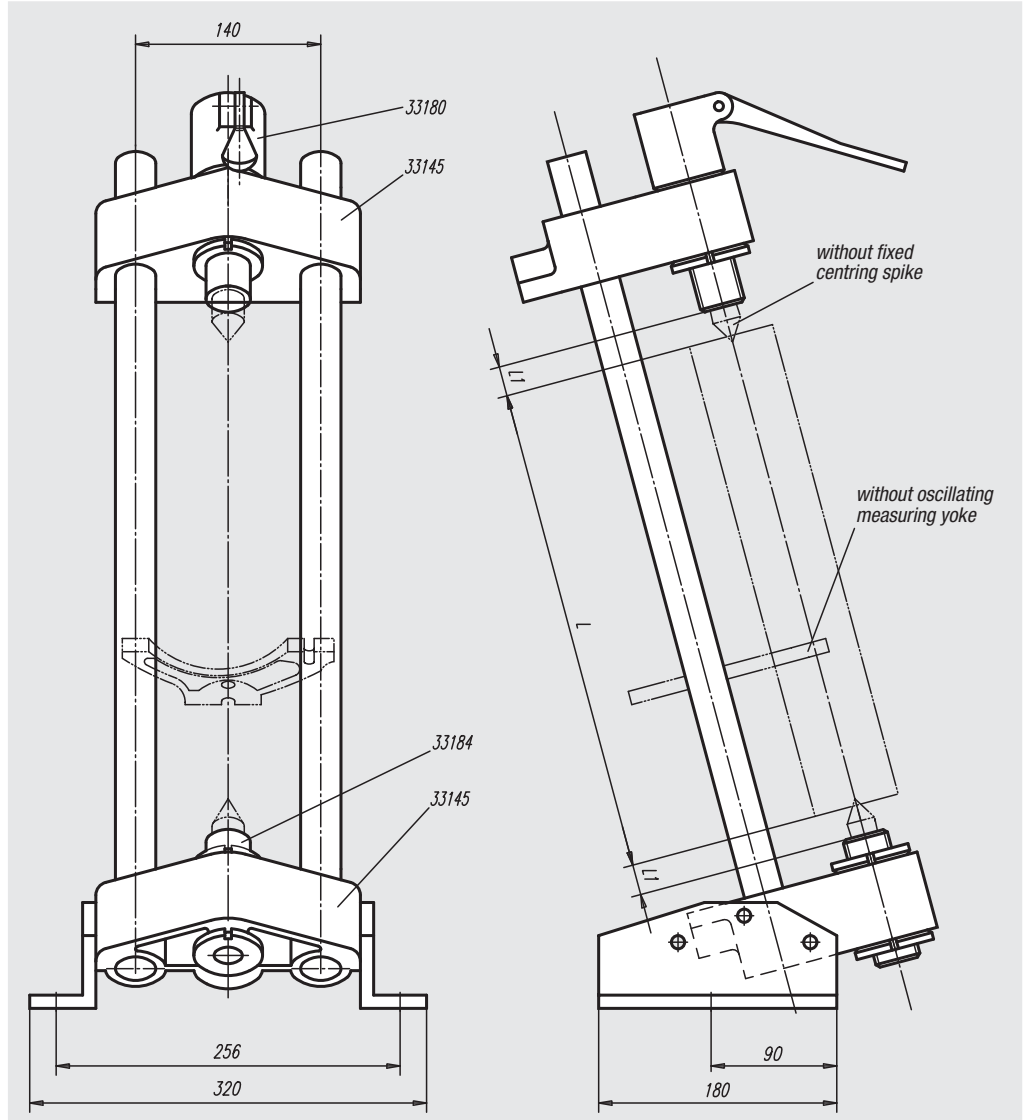


**Material:**  
Steel; shaft bearing GJL 200

**Surface finish:**  
Steel parts black oxide finish, shaft bearing painted

**Sample order:**  
nlm 33140-240444

**Note:**  
See application example.



Order No.	L for L1 = 32 (with fixed centering point 33190-02096)	L for L1 = 49 (with fixed centering point 33190-02113)	Approx. weight kg
33140-240444	274 up to 444	240 up to 410	14,600
33140-410524	444 up to 524	410 up to 490	15,400