

Spring mounted centre sleeves

with tension lever



Material:

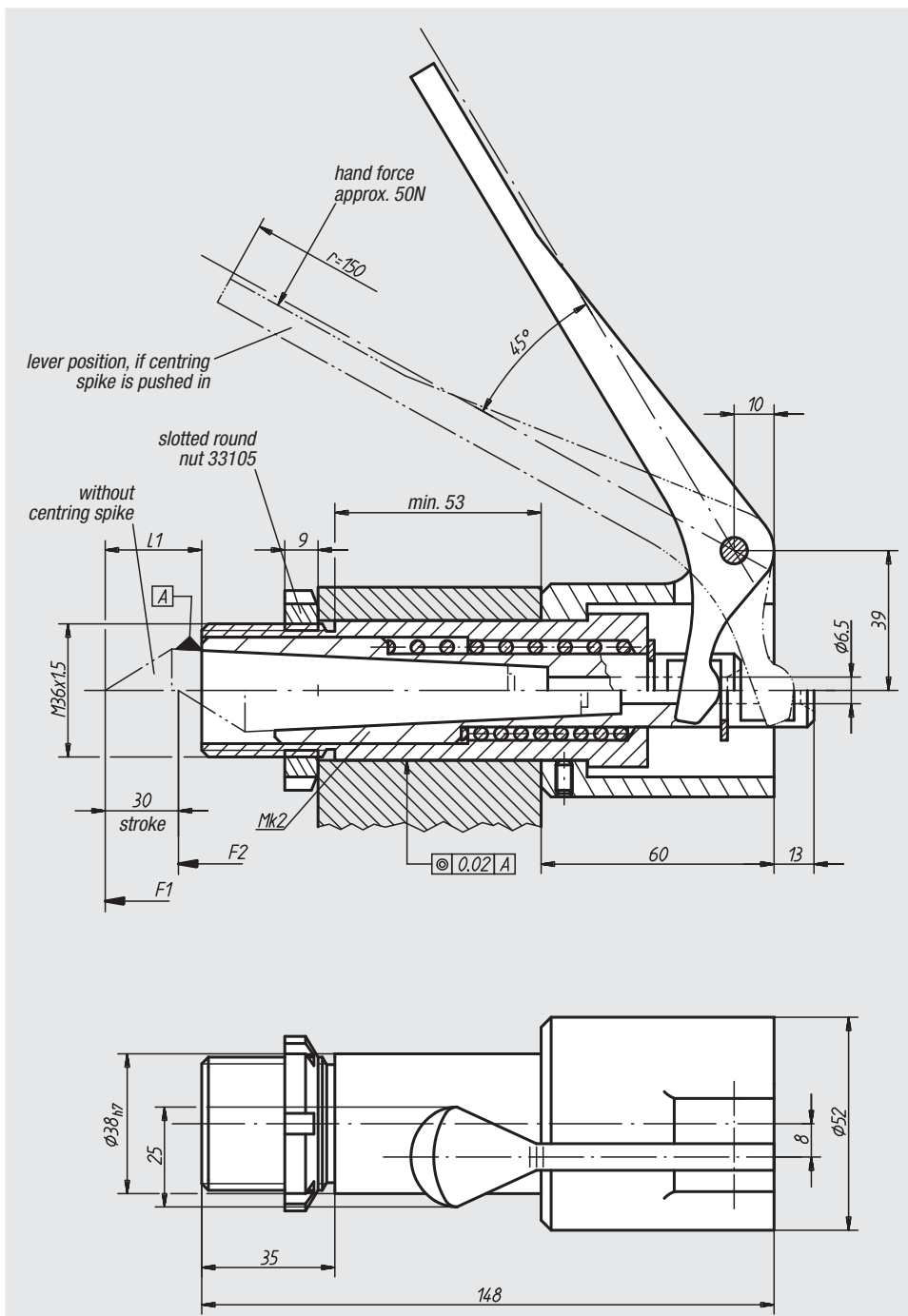
Steel

Surface finish:

Black oxide finish

Sample order:

nIm 33180-02



Order No.	L1	suitable centering point	Spring force initial pressure F1 approx. N	Final pressure F2 approx. N	Approx. weight kg
33180-02	32	33190-02096	100	150	1,045
	41	33190-02105			
	49	33190-02113			