

33184

Adjustable collet

for centring spikes



Material:

Body 1.7220

Surface finish:

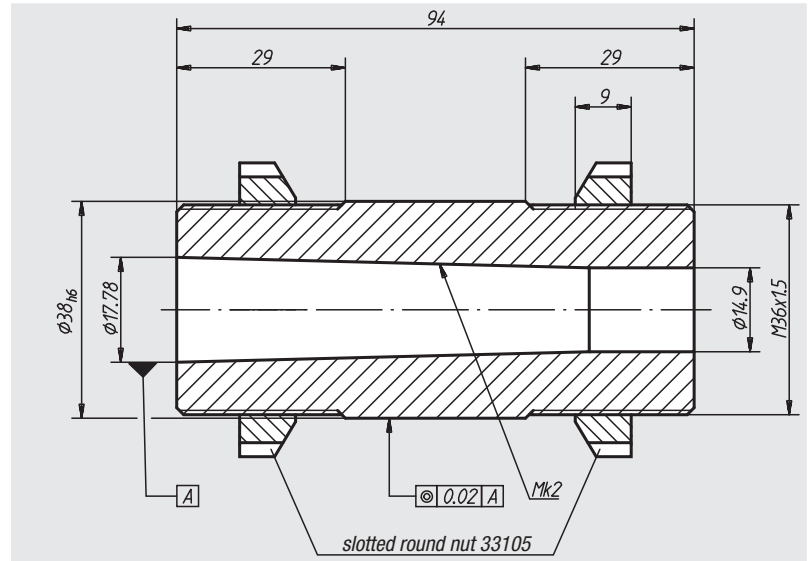
Black oxide finish

Sample order:

nIm 33184-02

Note:

Suitable centring spikes see 33190.



Order No.	Approx. weight kg
33184-02	0,750

33190

Fixed centring spikes



Material:

1.2067

Surface finish:

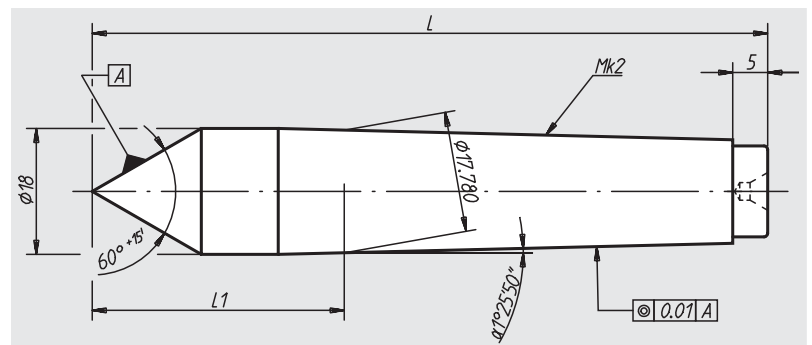
Hardened and ground, natural finish

Sample order:

nIm 33190-02105

Note:

The fixed centring spikes are suitable for: 33180, 33182 and 33184.



Order No.	L	L1	Approx. weight kg
33190-02096	96	32	0,145
33190-02105	105	41	0,170
33190-02113	113	49	0,180