

Die Changing Cart RW 500



ROEMHELD
HILMA ■ STARK



Version

With safety docking station and ball table

Applications:

ROEMHELD die changing carts facilitate the handling of medium-weight dies and enable dies weighing up to 500 kg to be safely transported in an easy and time saving way. All cart types are especially designed for pressing and punching dies as well as for injection and casting moulds. The sturdy design made of ROEMHELD components guarantees a long service life.

Function:

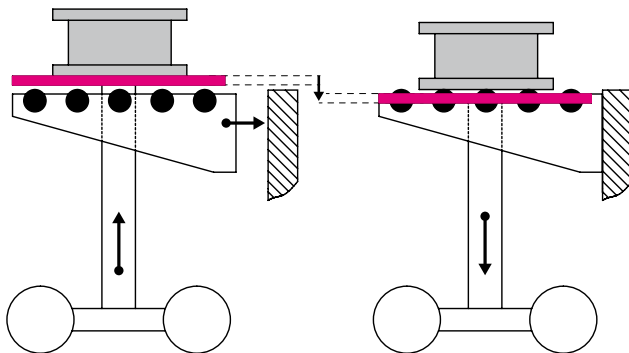
The die changing carts are manually guided and load/unload is also manually effected by means of roller or ball inserts. For the transfer to the press, an additional ball support can be mounted for bridging of gaps. Height adjustment is made by hydraulic ROEMHELD standard lifting columns with single-lever operation. For transport, the centre of gravity of the load must be positioned in the centre of the cart and the lifting columns must be completely lowered.

Transport

- Lifting column extended
- Ball inserts lowered
- Die on table plate

Docking

- Lifting column lowered
- Ball inserts lifted
- Die on ball inserts



Safety docking station:

During the transport of the die, the balls are always lowered and the die is protected against movement. Lifting of the ball inserts is made by successful docking to the press table. The die weight is supported at the press table.

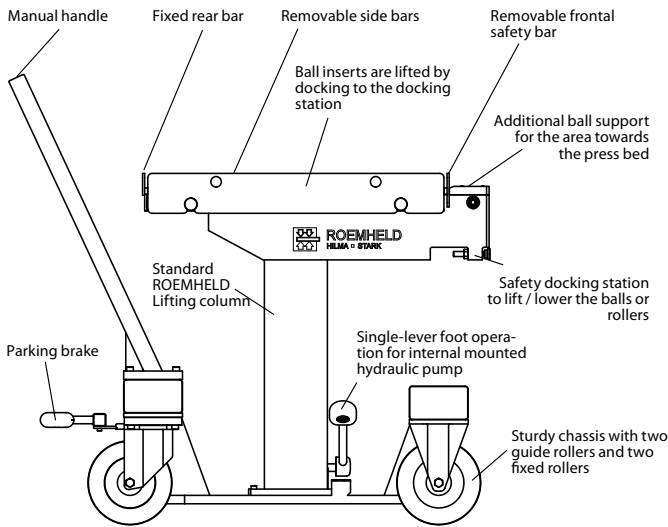
System advantages:

- ◆ Time-saving die change
- ◆ Safe material transport
- ◆ Exact positioning
- ◆ Safe and easy die transport
- ◆ Sturdy and low maintenance
- ◆ Improved ergonomics for the user
- ◆ Highest safety by automatic docking station



Die Changing Cart RW 500

Equipment:



- Anti-slip protection by automatic lowering of the ball inserts after leaving the docking station
- Exact height adjustment by precision lowering of the lifting column
- Safe positioning of the cart by pedal parking brake
- Lifting of the balls only in docked position by docking system
- Side protection against falling down by removable side bars
- Easy transport of the die in all directions with ball inserts
- Bridging to the press bed with additional support at the cart
- Sturdy and scratch-proof ball table with hard-anodized surface

Technical characteristics:

Load capacity	500 kg
Lifting range for table height	540 – 1080 mm
Table size max. (A x B)	720 x 720 mm
Weight	155 – 180 kg (as per version)
Other table sizes upon request	

Versions	1	2	3
Table height H min. (mm)	540	640	740
Table height H max. (mm)	680	880	1080
Usable stroke (mm)	140	240	340
Total stroke (mm)	200	300	400
Table size A x B (mm)	720 x 720		
Cart width C (mm)	830		
Part-no.	8.8913.0015	8.8913.0016	8.8913.0017
Table size A x B (mm)	720 x 450		
Cart width C (mm)	650		
Part-no.	8.8913.0018	8.8913.0019	8.8913.0020

Possible variants:

- Table sizes as per customer's specifications
- Roller inserts or bars instead of ball inserts
- Electrical lifting / lowering (power supply with battery)
- with and without docking system

Accessory:

Hook to position and lock the die changing cart

Part-no. 7.8913.0001

