



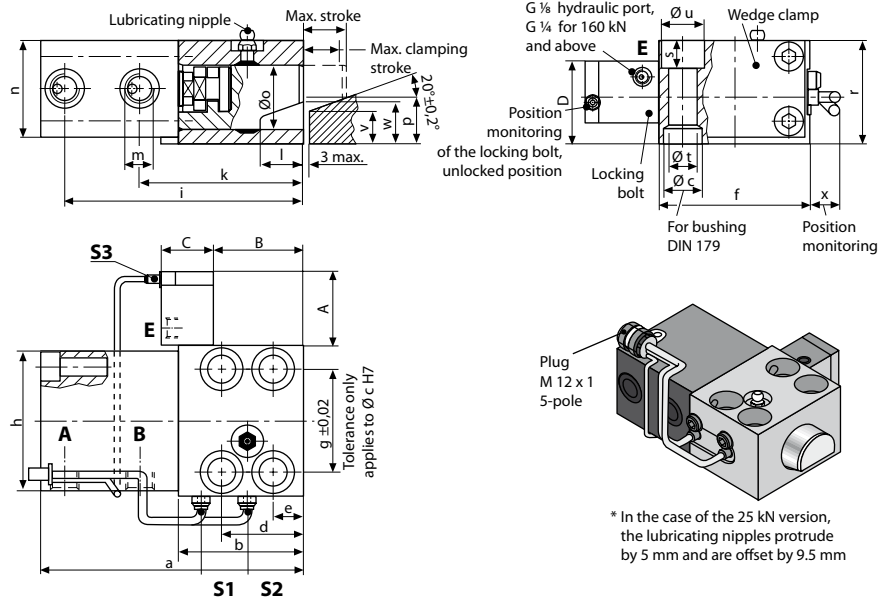
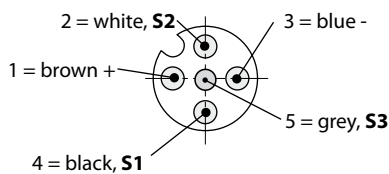
Wedge clamp with locking bolt + position monitoring

Wedge clamps for maximum safety:

The locking bolt of the wedge clamp is prevented from retracting using an additional locking cylinder. Only after the locking bolt has been unlocked can the clamping position be used.

Resistant to temperatures of up to 100°C,
120°C for 1000 working hours.
Cable length: 250 mm
5-pole plug

Pin assignment:



* In the case of the 25 kN version, the lubricating nipples protrude by 5 mm and are offset by 9.5 mm

*Clamping force **Permissible retention force (for details, see 2.2400, page 2)

	25	50	100	160	250	400	630
Max. clamping force * (kN)	25	50	100	160	250	400	630
Perm. retention force** (kN)	35	65	130	210	320	520	820
Screw property class 8.8							
Max. operating pressure (bar)	350	275	350	350	350	350	350
Cylinder-Ø (mm)	25	40	50	63	80	100	125
Max. stroke (mm)	20	25	25	30	32	40	40
Clamping stroke (from/to) (mm)	15 – 18	18 – 22	19 – 22	23 – 27	24 – 29	30 – 36	30 – 36
Oil consumption clamping/unlocking (cm ³)	10/3	31/3	49/3	94/2,5	161/2,5	314/2,5	491/2,5
a (mm)	122	157	190	227	267	310	375
b (mm)	58	78	100	125	150	180	225
Ø c H7 x depth (mm)	18/7	26/9	30/11	35/11	48/13	55/16	62/16
d (mm)	38	46	58	75	78	95	108
e (mm)	14	16	20	25	26	32	38
f (mm)	70	95	120	150	200	240	280
g (mm)	48	65	85	106	140	180	210
h (mm)	65	85	100	125	160	200	230
i (mm)	111	146	177	210	246	285	344
k (mm)	76	102	127	151	184	215	272
l (mm)	20	25	26	32	40	45	50
m	G 1/4	G 1/4	G 1/4	G 1/2	G 1/2	G 1/2	G 1/2
n (mm)	45	63	75	95	120	150	180
Ø o (mm)	30	40	55	70	80	100	125
p (mm)	21,5	28	37	49	55	75	85
r (mm)	48	65	80	105	125	160	190
s (mm)	13	18	20	26	32	38	44
Ø t (mm)	13	17	21	26	33	39	45
Ø u (mm)	20	26	32	40	48	57	66
v (mm)	15	18	25	30	30	50	60
w (mm)	19,5	23,5	30,5	37,0	38,0	60	70,0
x Position monitoring (mm)	12	5	0	0	0	0	0
A (mm)	57,5	57,5	57,5	60	60	65	65
B (mm)	27	44	66	94	119	144,5	189,5
C (mm)	40	40	40	45	45	40	40
D (mm)	48	58	67	89	95	110	120
Screw DIN 912-8.8 (4 pieces)	M 12	M 16	M 20	M 24	M 30	M 36	M 42
Tightening torque (Nm)	86	210	410	710	1450	2520	4050
Weight (kg)	3,0	6,5	11,4	21,7	41	74,7	126
Part no.	8.2403.3000	8.2404.3000	8.2405.3000	8.2406.3000	8.2407.3000	8.2408.3000	8.2409.3000
Accessories Bushings DIN 179	12 x 12	17 x 16	21 x 20	26 x 20	32 x 25	38 x 30	44 x 30
Part no.	3300 285	3300 287	3300 288	3300 289	3300 420	3300 430	3300 440