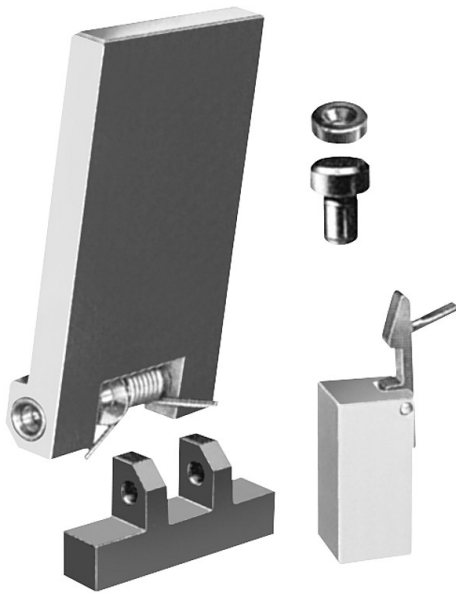


## Item description/product images



### Description

**Material, version:**  
See 08000 - 08180

## Overview of items

Order No.	comprising drill plate	comprising short bracket	comprising sealer part	comprising headed dowels	comprising pressure washer	comprising equalising washer and cylinder pin	Approx. weight kg
08250-01	08000-01	08100-01	08150-01	02010-041	08180-01	1 set	0,425
08250-02	08000-02	08100-02	08150-02	02010-042	08180-01	1 set	0,995
08250-03	08000-03	08100-03	08150-03	02010-061	08180-02	1 set	3,480